

PARTS LIST

CAUTION

- The parts identified by the \triangle symbol are important for the safety. Whenever replacing these parts, be sure to use specified ones to secure the safety .
- The parts not indicated in this Parts List and those which are filled with lines — in the Parts No. columns will not be supplied.
- P. W. Board Ass'y will not be supplied, but those which are filled with the Parts No. in the Parts No. columns will be supplied.

ABBREVIATIONS OF RESISTORS, CAPACITORS AND TOLERANCES

RESISTORS		CAPACITORS	
C R	Carbon Resistor	C CAP.	Ceramic Capacitor
F R	Fusible Resistor	E CAP.	Electrolytic Capacitor
P R	Plate Resistor	M CAP.	Mylar Capacitor
V R	Variable Resistor	HV CAP.	High Voltage Capacitor
HV R	High Voltage Resistor	MF CAP.	Metalized Film Capacitor
MF R	Metal Film Resistor	MM CAP.	Metalized Mylar Capacitor
MG R	Metal Glazed Resistor	MP CAP.	Metalized Polystyrol Capacitor
MP R	Metal Plate Resistor	PP CAP.	Polypropylene Capacitor
OM R	Metal Oxide Film Resistor	PS CAP.	Polystyrol Capacitor
CMF R	Coating Metal Film Resistor	TF CAP.	Thin Film Capacitor
UNF R	Non-Flammable Resistor	MPP CAP.	Metalized Polypropylene Capacitor
CH V R	Chip Variable Resistor	TAN. CAP.	Tantalum Capacitor
CH MG R	Chip Metal Glazed Resistor	CH C CAP.	Chip Ceramic Capacitor
COMP. R	Composition Resistor	BP E CAP.	Bi-Polar Electrolytic Capacitor
LPTC R	Linear Positive Temperature Coefficient Resistor	CH AL E CAP.	Chip Aluminum Electrolytic Capacitor
		CH AL BP CAP.	Chip Aluminum Bi-Polar Capacitor
		CH TAN. E CAP.	Chip Tantalum Electrolytic Capacitor
		CH AL BP E CAP.	Chip Tantalum Bi-Polar Electrolytic Capacitor

TOLERANCES									
F	G	J	K	M	N	R	H	Z	P
±1%	±2%	±5%	±10%	±20%	±30%	+30% -10%	+50% -10%	+80% -20%	+100% -0%

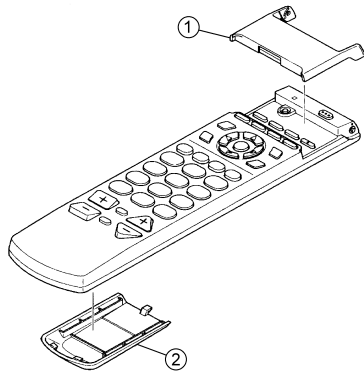
CONTENTS

- USING PW BOARD & REMOTE CONTROL UNIT 34
- REMOTE CONTROL UNIT PARTS LIST 35
- EXPLODED VIEW PARTS LIST (I) 35
- EXPLODED VIEW (I) 35
- EXPLODED VIEW PARTS LIST (II) 36
- EXPLODED VIEW (II) 37
- PRINTED WIRING BOARD PARTS LIST
 - MAIN PW BOARD ASS'Y 38
 - POWER & DEF PW BOARD ASS' Y 41
 - CRT SOCKET PW BOARD ASS'Y 43
 - FRONT CONTROL PW BOARD ASS'Y 44
 - AV SEL. PW BOARD ASS'Y 44
- PACKING 47
- PACKING PARTS LIST 47

USING PW BOARD & REMOTE CONTROL UNIT

PWB ASS'Y \ Model	AV-25PX
MAIN PWB	SJK-1006A-H2
POWER & DEF PWB	SJK-2004A-H2
CRT SOCKET PWB	SJK-3002A-H2
FRONT CONTROL PWB	SJK-8003A-H2
AV SEL. PWB	SJK0S006A-H2
REMOTE CONTROL UNIT	RM-C113-2H

REMOTE CONTROL UNIT PARTS LIST [RM-C113-2H]

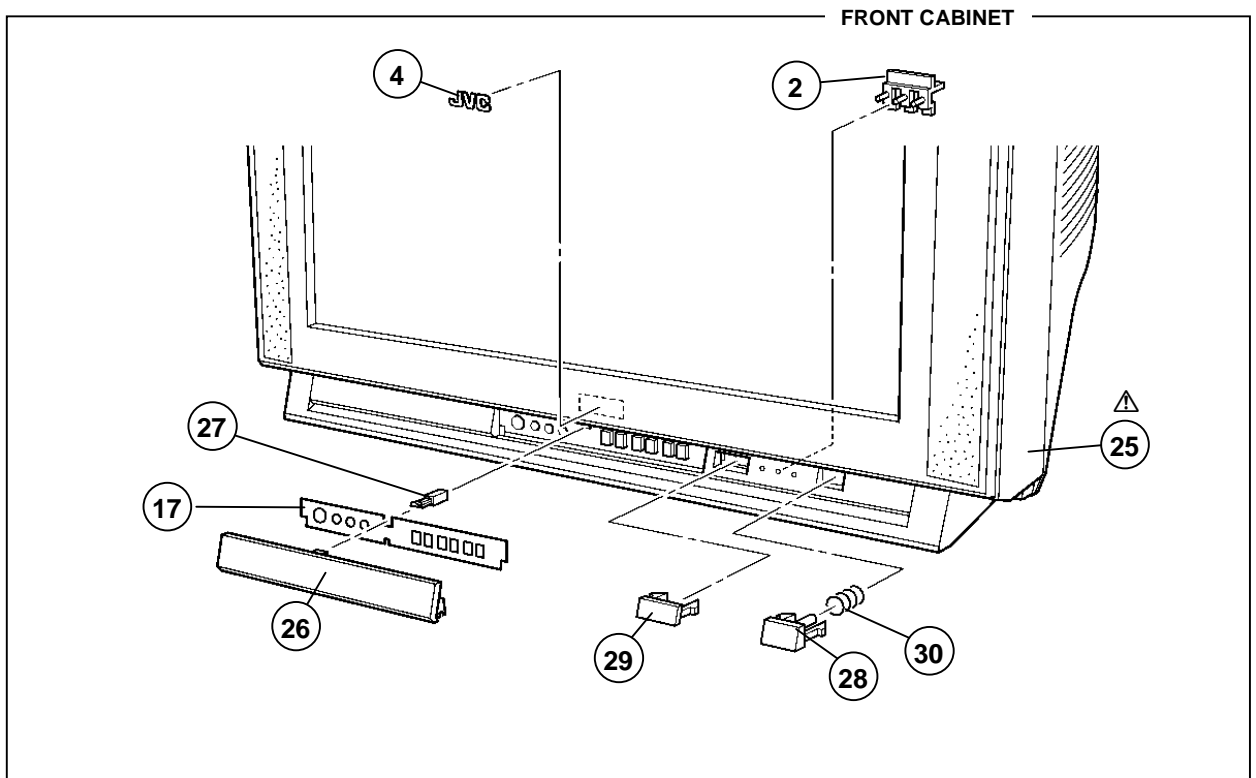


△	Ref.No.	Part No.	Part Name	Description
	1	UR52FT1265A	SLIDE COVER	
	2	UR52EC1264A	BATTERY COVER	

EXPLODED VIEW PARTS LIST (I)

△ Ref. No.	Part No.	Part Name	Description
2	LC30693-001A-H	L. E. D. LENS	
4	CM48125-009	JVC MARK	
17	LC30694-008A-H1	OPERATION SHEET	
△ 25	LC10475-013A-H	FRONT CABI ASS'Y	
26	LC20336-008A-H	DOOR	(SERVICE)
27	CM48229-00A-C	DOOR LATCH	
28	LC30302-014A	POWER KNOB	(SERVICE)
29	LC30303-001A-H	E. E. WINDOW	
30	CM35235-003-H	SPRING	

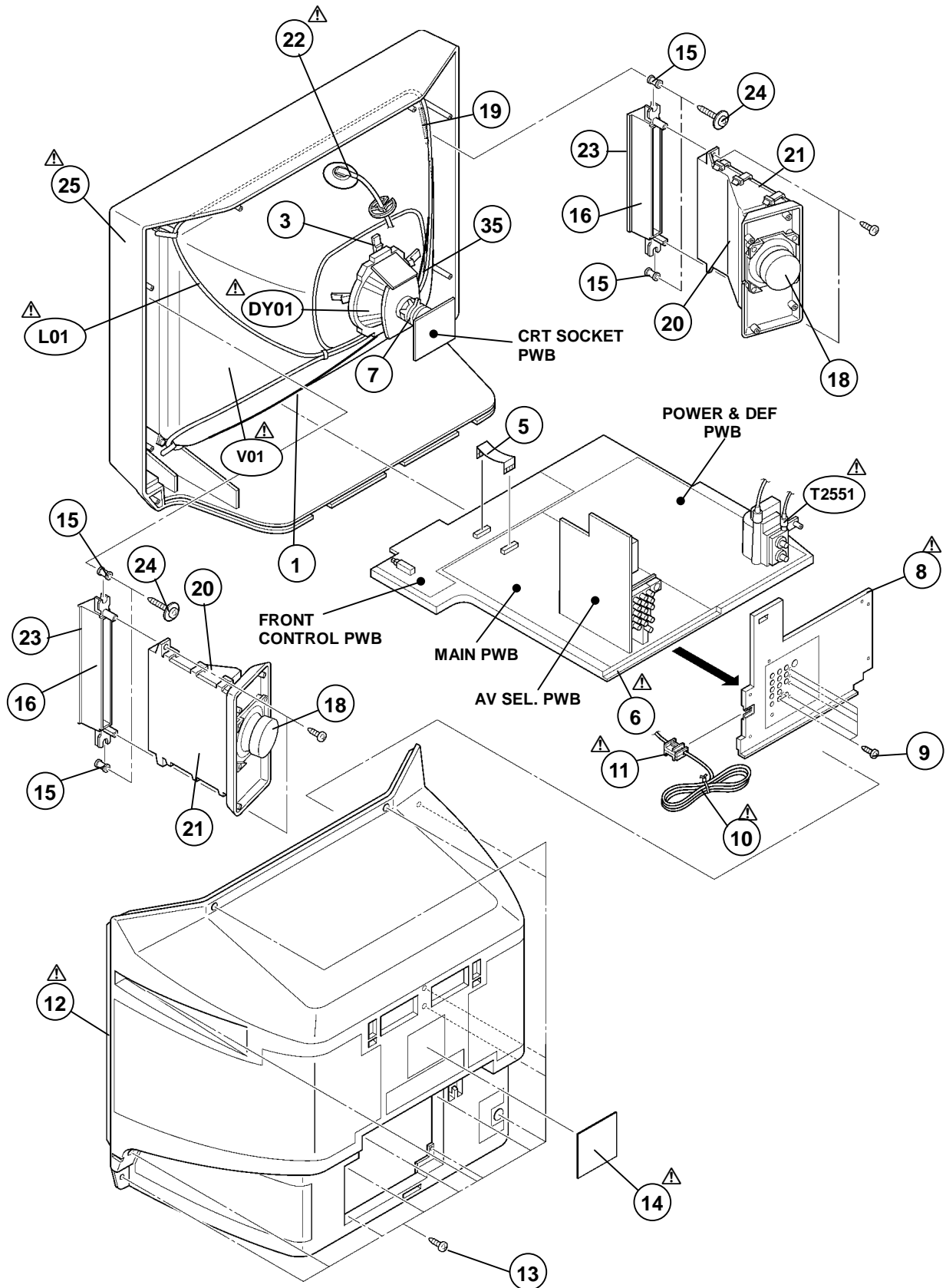
EXPLODED VIEW (I)



EXPLODED VIEW PARTS LIST(II)

△ Ref. No.	Part No.	Part Name	Description
△ V01	A60LST196X	PICTURE TUBE (C)	
△ DY01	QQD0043-001	DEFLECTION YOKE	
△ L01	QQW0074-001	DEGAUSSING COIL	
△ T2551	QQH0075-001	HVT	Within POWER & DEF PWB
1	CHGB0020-AA	BRAIDED WIRE	
3	CE40764-00A	WEDGE ASSY	(× 4)
5	CHFD125-06BD-N	FFC WIRE	
△ 6	LC10771-001B-H	CHASSIS BASE	
7	CE42388-00A	P. C. MAGNET	
△ 8	LC10773-001B-H	AV BOARD	
9	QYSBSF3012M	TAPPING SCREW	(× 5) For AV BOARD
△ 10	QMP40D0-200J3	POWER CORD	
△ 11	CM23167-A01-H	CORD CLAMP	
△ 12	LC10477-003A-H	REAR COVER	
13	QYSBSFG4016Z	TAPPING SCREW	(× 14)
△ 14	LC20377-010B-H	RATING LABEL	
15	LC40226-001A	SPACER	(× 4)
16	LC10280-001A-H	ADAPTOR	(× 2)
18	CEBSF10P-03KJ6	SPEAKER	(× 2) SP01, SP02
19	A48457-3-H	SPRING	
20	LC10050-001A-H	HORN	(× 2)
21	LC10051-001A-H	DOME COVER	(× 2)
△ 22	QNZ0369-001	ANODE WIRE	
23	CM34837-048-H	STICK SHEET	(× 2)
24	LC40317-002A-H	TAPPING SCREW	(× 4)
△ 25	LC10475-013A-H	FRONT CABI ASS'Y	

EXPLODED VIEW (II)



PRINTED WIRING BOARD PARTS LIST

MAIN PW BOARD ASS'Y (SJK-1006A-H2)

△ Symbol No.	Part No.	Part Name	Description
RESISTOR			
R1002-03	NRSA02J-0R0X	MG R	0.0Ω 1/10W J
R1005-06	NRSA02J-102X	MG R	1kΩ 1/10W J
R1007	NRSA02J-104X	MG R	100kΩ 1/10W J
R1201	NRSA02J-104X	MG R	100kΩ 1/10W J
R1202	NRSA02J-473X	MG R	47kΩ 1/10W J
R1203	NRSA02J-184X	MG R	180kΩ 1/10W J
R1204	NRSA02J-224X	MG R	220kΩ 1/10W J
R1205	NRSA02J-563X	MG R	56kΩ 1/10W J
R1206	NRSA02J-682X	MG R	6.8kΩ 1/10W J
R1207	NRSA02J-333X	MG R	33kΩ 1/10W J
R1209-10	NRSA02J-221X	MG R	220Ω 1/10W J
R1251	NRSA02J-473X	MG R	47kΩ 1/10W J
R1252	NRSA02J-392X	MG R	3.9kΩ 1/10W J
R1253	NRSA02J-473X	MG R	47kΩ 1/10W J
R1254	NRSA02J-103X	MG R	10kΩ 1/10W J
R1255	NRSA02J-823X	MG R	82kΩ 1/10W J
R1256	NRSA02J-222X	MG R	2.2kΩ 1/10W J
R1257	NRSA02J-333X	MG R	33kΩ 1/10W J
R1258	NRSA02J-272X	MG R	2.7kΩ 1/10W J
R1259	NRSA02J-102X	MG R	1kΩ 1/10W J
R1260	NRSA02J-823X	MG R	82kΩ 1/10W J
R1261	NRSA02J-102X	MG R	1kΩ 1/10W J
R1262	NRSA02J-153X	MG R	15kΩ 1/10W J
R1263	NRSA02J-273X	MG R	27kΩ 1/10W J
R1264	NRSA02J-102X	MG R	1kΩ 1/10W J
R1265	NRSA02J-821X	MG R	820Ω 1/10W J
R1266	NRSA02J-223X	MG R	22kΩ 1/10W J
R1267-68	NRSA02J-101X	MG R	100Ω 1/10W J
R1269	NRSA02J-103X	MG R	10kΩ 1/10W J
R1270	NRSA02J-682X	MG R	6.8kΩ 1/10W J
R1271	NRSA02J-103X	MG R	10kΩ 1/10W J
R1301	NRSA02J-0R0X	MG R	0.0Ω 1/10W J
R1302	NRSA02J-123X	MG R	12kΩ 1/10W J
R1304	QRG01GJ-121	OM R	120Ω 1W J
R1305	NRSA02J-562X	MG R	5.6kΩ 1/10W J
R1306	NRSA02J-222X	MG R	2.2kΩ 1/10W J
R1307	NRSA02J-102X	MG R	1kΩ 1/10W J
R1308	NRSA02J-471X	MG R	470Ω 1/10W J
R1309	NRSA02J-222X	MG R	2.2kΩ 1/10W J
R1310-11	NRSA02J-391X	MG R	390Ω 1/10W J
R1314-15	NRSA02J-562X	MG R	5.6kΩ 1/10W J
R1316	NRSA02J-224X	MG R	220kΩ 1/10W J
R1318-20	NRSA02J-102X	MG R	1kΩ 1/10W J
R1321	NRSA02J-272X	MG R	2.7kΩ 1/10W J
R1326	NRSA02J-562X	MG R	5.6kΩ 1/10W J
R1327	NRSA02J-101X	MG R	100Ω 1/10W J
R1328	NRSA02J-102X	MG R	1kΩ 1/10W J
R1329-30	NRSA02J-0R0X	MG R	0.0Ω 1/10W J
R1331	NRSA02J-101X	MG R	100Ω 1/10W J
R1334	NRSA02J-562X	MG R	5.6kΩ 1/10W J
R1335	NRSA02J-273X	MG R	27kΩ 1/10W J
R1336	NRSA02J-103X	MG R	10kΩ 1/10W J
R1337	NRSA02J-102X	MG R	1kΩ 1/10W J
R1338	NRSA02J-562X	MG R	5.6kΩ 1/10W J
R1339	NRSA02J-0R0X	MG R	0.0Ω 1/10W J
R1340	NRSA02J-561X	MG R	560Ω 1/10W J
R1341	NRSA02J-681X	MG R	680Ω 1/10W J
R1342	NRSA02J-222X	MG R	2.2kΩ 1/10W J
R1346	QRE141J-102Y	C R	1kΩ 1/4W J
R1351-53	NRSA02J-272X	MG R	2.7kΩ 1/10W J
R1354	NRSA02J-102X	MG R	1kΩ 1/10W J
R1355	NRSA02J-153X	MG R	15kΩ 1/10W J
R1356	NRSA02J-102X	MG R	1kΩ 1/10W J
R1357	NRSA02J-222X	MG R	2.2kΩ 1/10W J
R1358	NRSA02J-102X	MG R	1kΩ 1/10W J
R1359	NRSA02J-472X	MG R	4.7kΩ 1/10W J
R1360	NRSA02J-392X	MG R	3.9kΩ 1/10W J
R1361	NRSA02J-102X	MG R	1kΩ 1/10W J

△ Symbol No.	Part No.	Part Name	Description
RESISTOR			
R1362	NRSA02J-122X	MG R	1.2kΩ 1/10W J
R1363-65	NRSA02J-123X	MG R	12kΩ 1/10W J
R1366	NRSA02J-392X	MG R	3.9kΩ 1/10W J
R1367-68	NRSA02J-102X	MG R	1kΩ 1/10W J
R1369-71	NRSA02J-101X	MG R	100Ω 1/10W J
R1401-02	NRSA02J-103X	MG R	10kΩ 1/10W J
R1403	NRSA02J-102X	MG R	1kΩ 1/10W J
R1404	NRSA02J-183X	MG R	18kΩ 1/10W J
R1405	NRSA02J-223X	MG R	22kΩ 1/10W J
R1411	NRVA02D-473X	MF R	47kΩ 1/10W D
R1413	NRVA02D-223X	MF R	22kΩ 1/10W D
R1414	NRVA02D-101X	MF R	100Ω 1/10W D
R1416	NRSA02J-101X	MG R	100Ω 1/10W J
R1417	NRSA02J-562X	MG R	5.6kΩ 1/10W J
R1418	NRSA02J-682X	MG R	6.8kΩ 1/10W J
R1420	NRSA02J-752X	MG R	7.5kΩ 1/10W J
R1421	NRSA02J-103X	MG R	10kΩ 1/10W J
R1501	NRSA02J-621X	MG R	620Ω 1/10W J
R1502	NRSA02J-103X	MG R	10kΩ 1/10W J
R1503	NRSA02J-104X	MG R	100kΩ 1/10W J
R1504	NRSA02J-822X	MG R	8.2kΩ 1/10W J
R1505-06	NRSA02J-221X	MG R	220Ω 1/10W J
R1507	NRSA02J-102X	MG R	1kΩ 1/10W J
R1516	NRSA02J-222X	MG R	2.2kΩ 1/10W J
R1517	NRSA02J-472X	MG R	4.7kΩ 1/10W J
R1518	NRSA02J-102X	MG R	1kΩ 1/10W J
R1519	NRSA02J-562X	MG R	5.6kΩ 1/10W J
R1520	NRSA02J-152X	MG R	1.5kΩ 1/10W J
R1522	NRSA02J-153X	MG R	15kΩ 1/10W J
R1523	NRSA02J-103X	MG R	10kΩ 1/10W J
R1524	NRSA02J-152X	MG R	1.5kΩ 1/10W J
R1551	QRK126J-100X	C R	10Ω 1/2W J
R1552	NRSA02J-124X	MG R	120kΩ 1/10W J
R1553	NRSA02J-683X	MG R	68kΩ 1/10W J
R1554	NRSA02J-333X	MG R	33kΩ 1/10W J
R1555	NRSA02J-472X	MG R	4.7kΩ 1/10W J
R1556	NRSA02J-154X	MG R	15kΩ 1/10W J
R1557-58	NRSA02J-562X	MG R	5.6kΩ 1/10W J
R1559	NRSA02J-0R0X	MG R	0.0Ω 1/10W J
R1560	NRSA02J-104X	MG R	100kΩ 1/10W J
R1561	QRK126J-100X	C R	10Ω 1/2W J
R1571	NRSA02J-101X	MG R	100Ω 1/10W J
R1572	NRSA02J-133X	MG R	13kΩ 1/10W J
R1573	NRSA02J-821X	MG R	820Ω 1/10W J
R1608-09	NRSA02J-392X	MG R	3.9kΩ 1/10W J
R1610-11	NRSA02J-104X	MG R	100kΩ 1/10W J
R1612	NRSA02J-101X	MG R	100Ω 1/10W J
R1613	NRSA02J-0R0X	MG R	0.0Ω 1/10W J
R1614	NRSA02J-101X	MG R	100Ω 1/10W J
R1615	NRSA02J-0R0X	MG R	0.0Ω 1/10W J
R1616	NRSA02J-563X	MG R	56kΩ 1/10W J
R1617	NRSA02J-472X	MG R	4.7kΩ 1/10W J
R1618	NRSA02J-103X	MG R	10kΩ 1/10W J
R1619	NRSA02J-183X	MG R	18kΩ 1/10W J
R1620	NRSA02J-103X	MG R	10kΩ 1/10W J
R1621	NRSA02J-183X	MG R	18kΩ 1/10W J
R1622	NRSA02J-122X	MG R	1.2kΩ 1/10W J
R1623	NRSA02J-472X	MG R	4.7kΩ 1/10W J
R1624	NRSA02J-563X	MG R	56kΩ 1/10W J
R1646	NRSA02J-473X	MG R	47kΩ 1/10W J
R1647	NRSA02J-273X	MG R	27kΩ 1/10W J
R1648	NRSA02J-104X	MG R	100kΩ 1/10W J
R1649	NRSA02J-682X	MG R	6.8kΩ 1/10W J
R1650	NRSA02J-104X	MG R	100kΩ 1/10W J
R1657	NRSA02J-0R0X	MG R	0.0Ω 1/10W J
R1660	QRK126J-2R2X	C R	2.2Ω 1/2W J
R1661	NRSA02J-103X	MG R	10kΩ 1/10W J
R1663	NRSA02J-822X	MG R	8.2kΩ 1/10W J

△ Symbol No.	Part No.	Part Name	Description
RESISTOR			
R1664	NRSA02J-562X	MG R	5.6kΩ 1/10W J
R1683	QRK126J-2R2X	C R	2.2Ω 1/2W J
R1684-85	NRSA02J-101X	MG R	100Ω 1/10W J
R1689	NRSA02J-473X	MG R	47kΩ 1/10W J
R1690	NRSA02J-105X	MG R	1MΩ 1/10W J
R1691	NRSA02J-154X	MG R	150kΩ 1/10W J
R1692	NRSA02J-822X	MG R	8.2kΩ 1/10W J
R1693	NRSA02J-182X	MG R	1.8kΩ 1/10W J
R1694	NRSA02J-562X	MG R	5.6kΩ 1/10W J
R1695	NRSA02J-102X	MG R	1kΩ 1/10W J
R1696	NRSA02J-562X	MG R	5.6kΩ 1/10W J
R1697	NRSA02J-102X	MG R	1kΩ 1/10W J
R1698-99	NRSA02J-562X	MG R	5.6kΩ 1/10W J
R1716	NRSA02J-102X	MG R	1kΩ 1/10W J
R1718-19	NRSA02J-682X	MG R	6.8kΩ 1/10W J
R1722	NRSA02J-472X	MG R	4.7kΩ 1/10W J
R1724-25	NRSA02J-472X	MG R	4.7kΩ 1/10W J
R1727	NRSA02J-472X	MG R	4.7kΩ 1/10W J
R1729-31	NRSA02J-221X	MG R	220Ω 1/10W J
R1732	NRSA02J-562X	MG R	5.6kΩ 1/10W J
R1733	NRSA02J-103X	MG R	10kΩ 1/10W J
R1734	NRSA02J-223X	MG R	22kΩ 1/10W J
R1735	NRSA02J-102X	MG R	1kΩ 1/10W J
R1736-37	NRSA02J-103X	MG R	10kΩ 1/10W J
R1739	NRSA02J-103X	MG R	10kΩ 1/10W J
R1740	NRSA02J-331X	MG R	330Ω 1/10W J
R1741-42	NRSA02J-102X	MG R	1kΩ 1/10W J
R1743-44	NRSA02J-101X	MG R	100Ω 1/10W J
R1745	NRSA02J-472X	MG R	4.7kΩ 1/10W J
R1747	NRSA02J-472X	MG R	4.7kΩ 1/10W J
R1748-52	NRSA02J-221X	MG R	220Ω 1/10W J
R1754	NRSA02J-683X	MG R	68kΩ 1/10W J
R1756	NRSA02J-103X	MG R	10kΩ 1/10W J
R1757	NRSA02J-393X	MG R	39kΩ 1/10W J
R1759	NRSA02J-472X	MG R	4.7kΩ 1/10W J
R1760-63	NRSA02J-103X	MG R	10kΩ 1/10W J
R1764-66	NRSA02J-221X	MG R	220Ω 1/10W J
R1767	NRSA02J-103X	MG R	10kΩ 1/10W J
R1768	NRSA02J-473X	MG R	47kΩ 1/10W J
R1769	NRSA02J-823X	MG R	82kΩ 1/10W J
R1770-73	NRSA02J-222X	MG R	2.2kΩ 1/10W J
R1774	NRSA02J-103X	MG R	10kΩ 1/10W J
R1775	NRSA02J-223X	MG R	22kΩ 1/10W J
R1776	NRSA02J-272X	MG R	2.7kΩ 1/10W J
R1777-79	NRSA02J-222X	MG R	2.2kΩ 1/10W J
R1780	NRSA02J-102X	MG R	1kΩ 1/10W J
R1784	NRSA02J-473X	MG R	47kΩ 1/10W J
R1785	NRSA02J-223X	MG R	22kΩ 1/10W J
R1786	NRSA02J-473X	MG R	47kΩ 1/10W J
R1787	NRSA02J-332X	MG R	3.3kΩ 1/10W J
R1788	NRSA02J-272X	MG R	2.7kΩ 1/10W J
R1789	NRSA02J-473X	MG R	47kΩ 1/10W J
R1790	NRSA02J-682X	MG R	6.8kΩ 1/10W J
R1791	NRSA02J-183X	MG R	18kΩ 1/10W J
R1792	NRSA02J-103X	MG R	10kΩ 1/10W J
R1793	NRSA02J-821X	MG R	820Ω 1/10W J
R1794	NRSA02J-103X	MG R	10kΩ 1/10W J
R1795	NRSA02J-184X	MG R	180kΩ 1/10W J
R1796	NRSA02J-104X	MG R	100kΩ 1/10W J
R1797-98	NRSA02J-102X	MG R	1kΩ 1/10W J
R1802	NRSA02J-472X	MG R	4.7kΩ 1/10W J
R1803-04	NRSA02J-473X	MG R	47kΩ 1/10W J
R1805	NRSA02J-102X	MG R	1kΩ 1/10W J
R1806	NRSA02J-103X	MG R	10kΩ 1/10W J
R1807	NRSA02J-102X	MG R	1kΩ 1/10W J
R1906	NRSA02J-222X	MG R	2.2kΩ 1/10W J
R1910	NRSA02J-333X	MG R	33kΩ 1/10W J
R1911	NRSA02J-103X	MG R	10kΩ 1/10W J
R1912	NRSA02J-683X	MG R	68kΩ 1/10W J
R1913	NRSA02J-103X	MG R	10kΩ 1/10W J

△ Symbol No.	Part No.	Part Name	Description
CAPACITOR			
C1001	NCB21HK-222X	C CAP.	2200pF 50V K
C1002	QETN1CM-107Z	E CAP.	100μF 16V M
C1003	NCB21EK-104X	C CAP.	0.1μF 25V K
C1004	QETN1CM-108Z	E CAP.	1000μF 16V M
C1005	QETN1CM-107Z	E CAP.	100μF 16V M
C1006	QETN1HM-106Z	E CAP.	10μF 50V M
C1007	NCB21EK-104X	C CAP.	0.1μF 25V K
C1008	QETN1HM-106Z	E CAP.	10μF 50V M
C1009	NCB21EK-104X	C CAP.	0.1μF 25V K
C1201	NCB21EK-104X	C CAP.	0.1μF 25V K
C1202	QETN1HM-105Z	E CAP.	1μF 50V M
C1203	QETN1HM-106Z	E CAP.	10μF 50V M
C1204	NDC21HJ-101X	C CAP.	100pF 50V J
C1205	QETN1HM-106Z	E CAP.	10μF 50V M
C1206	NCB21EK-104X	C CAP.	0.1μF 25V K
C1207	NCB21HK-103X	C CAP.	0.01μF 50V K
C1208	QETN1CM-107Z	E CAP.	100μF 16V M
C1209	NCB21HK-103X	C CAP.	0.01μF 50V K
C1210	NDC21HJ-390X	C CAP.	39pF 50V J
C1251	NCB21HK-103X	C CAP.	0.01μF 50V K
C1252-53	NCB21EK-104X	C CAP.	0.1μF 25V K
C1254-55	NCB21HK-103X	C CAP.	0.01μF 50V K
C1256	QETN1HM-476Z	E CAP.	47μF 50V M
C1257	NCB21HK-103X	C CAP.	0.01μF 50V K
C1258-60	NCB21EK-104X	C CAP.	0.1μF 25V K
C1261-62	QETN1HM-106Z	E CAP.	10μF 50V M
C1301	NCB21EK-104X	C CAP.	0.1μF 25V K
C1302	NCB21HK-823X	CHTP CAP.	0.082μF 50V K
C1303	QETN1EM-476Z	E CAP.	47μF 25V M
C1304	NCB21HK-103X	C CAP.	0.01μF 50V K
C1305	QETN1CM-107Z	E CAP.	100μF 16V M
C1306	NCB21HK-103X	C CAP.	0.01μF 50V K
C1307	QETN1CM-477Z	E CAP.	470μF 16V M
C1308	NDC21HJ-120X	C CAP.	12pF 50V J
C1309	QETN1HM-475Z	E CAP.	4.7μF 50V M
C1310	NCB21HK-103X	C CAP.	0.01μF 50V K
C1311	QETN1HM-106Z	E CAP.	10μF 50V M
C1313	QETN1AM-228Z	E CAP.	2200pF 10V M
C1314	NCB21HK-103X	C CAP.	0.01μF 50V K
C1315	QETN1HM-226Z	E CAP.	22μF 50V M
C1317-18	NDC21HJ-101X	C CAP.	100pF 50V J
C1319	QETN1CM-107Z	E CAP.	100μF 16V M
C1320	NCB21HK-103X	C CAP.	0.01μF 50V K
C1321-23	NCB21EK-104X	C CAP.	0.1μF 25V K
C1327	QETN1HM-475Z	E CAP.	4.7μF 50V M
C1331	QETN1HM-105Z	E CAP.	1μF 50V M
C1332	NCB21HK-103X	C CAP.	0.01μF 50V K
C1333	NCB21EK-104X	C CAP.	0.1μF 25V K
C1334-36	NCB21HK-103X	C CAP.	0.01μF 50V K
C1351	NDC21HJ-390X	C CAP.	39pF 50V J
C1401	QETN1HM-105Z	E CAP.	1μF 50V M
C1403	NCB21HK-103X	C CAP.	0.01μF 50V K
C1405	NCB21HK-103X	C CAP.	0.01μF 50V K
C1406	QFV71HJ-184Z	MF CAP.	0.18μF 50V J
C1407	QFV71HJ-684Z	MF CAP.	0.68μF 50V J
C1408	NCB21HK-223X	C CAP.	0.022μF 50V K
C1409	NCB21HK-183X	C CAP.	0.018μF 50V K
C1501	QETN1AM-228Z	E CAP.	2200pF 10V M
C1502-04	NCB21HK-103X	C CAP.	0.01μF 50V K
C1505	NCB21HK-822X	C CAP.	8200pF 50V K
C1506	QETN1HM-105Z	E CAP.	1μF 50V M
C1507	NCB21HK-103X	C CAP.	0.01μF 50V K
C1508	QETN1CM-108Z	E CAP.	1000pF 16V M
C1509	NCB21HK-823X	CHTP CAP.	0.082μF 50V K
C1510	NCB21HK-103X	C CAP.	0.01μF 50V K
C1512	QTMN1HM-105Z	E CAP.	0.1μF 50V M
C1513	QETN1CM-228	E CAP.	2200μF 16V M
C1514	NCB21HK-103X	C CAP.	0.01μF 50V K
C1515	QFV71HJ-394Z	MF CAP.	0.39μF 50V J
C1516	NCB21HK-103X	C CAP.	0.01μF 50V K
C1517	QETN1CM-107Z	E CAP.	100μF 16V M
C1518	NCB21EK-104X	C CAP.	0.1μF 25V K
C1551-52	NCB21EK-224X	CHTP CAP.	0.22μF 25V K

△ Symbol No.	Part No.	Part Name	Description
CAPACITOR			
C1553	QETN1EM-476Z	E CAP.	47μF 25V M
C1554-55	NCB21EK-224X	CHIP CAP.	0.22μF 25V K
C1571	NCB21HK-103X	C CAP.	0.01μF 50V K
C1602	QETN1HM-107Z	E CAP.	100μF 50V M
C1608	NCF21CZ-105X	C CAP.	1μF 16V Z
C1610	NCF21CZ-105X	C CAP.	1μF 16V Z
C1612	NDC21HJ-470X	C CAP.	47pF 50V J
C1614	NCF21CZ-105X	C CAP.	1μF 16V Z
C1615	NDC21HJ-470X	C CAP.	47pF 50V J
C1617	NCF21CZ-105X	C CAP.	1μF 16V Z
C1618	QETN1HM-106Z	E CAP.	10μF 50V M
C1619-20	NCB21EK-104X	C CAP.	0.1μF 25V K
C1623-24	QETN1CM-227Z	E CAP.	220μF 16V M
C1625	QETN1HM-474Z	E CAP.	0.47μF 50V M
C1635	QETN1HM-474Z	E CAP.	0.47μF 50V M
C1638-39	NCF21HZ-224X	C CAP.	0.22μF 50V Z
C1640	QETN1HM-106Z	E CAP.	10μF 50V M
C1653	NCF21HZ-224X	C CAP.	0.22μF 50V Z
C1655	NCF21HZ-224X	C CAP.	0.22μF 50V Z
C1656	QETN1HM-228	E CAP.	2200μF 50V M
C1661-62	QETN1VM-228	E CAP.	2200μF 35V M
C1668	NCB21EK-104X	C CAP.	0.1μF 25V K
C1671	QENC1CM-226Z	BP E CAP.	22μF 16V M
C1672	QETN1AM-107Z	E CAP.	100μF 10V M
C1673	NCB21HK-563X	CHIP CAP.	0.056μF 50V K
C1674	NCB21HK-393X	C CAP.	0.039μF 50V K
C1675-76	QETN1HM-106Z	E CAP.	10μF 50V M
C1677	QETN1CM-107Z	E CAP.	100μF 16V M
C1678	QENC1CM-226Z	BP E CAP.	22μF 16V M
C1679	QETN1HM-105Z	E CAP.	1μF 50V M
C1680	NCB21HK-273X	C CAP.	0.027μF 50V K
C1681	NCB21HK-103X	C CAP.	0.01μF 50V K
C1682	QENC1CM-226Z	BP E CAP.	22μF 16V M
C1683	QETN1HM-226Z	E CAP.	22μF 50V M
C1684	QETN1CM-227Z	E CAP.	220μF 16V M
C1685-86	NCB21HK-272X	C CAP.	2700pF 50V K
C1687	NCF21CZ-105X	C CAP.	1μF 25V Z
C1688-89	NCB21EK-104X	C CAP.	0.1μF 16V K
C1690	NCF21CZ-105X	C CAP.	1μF 16V Z
C1691-94	NCB21EK-104X	C CAP.	0.1μF 25V K
C1696-97	QETN1HM-106Z	E CAP.	10μF 50V M
C1703	QETN1EM-476Z	E CAP.	47μF 25V M
C1704	NCB21EK-104X	C CAP.	0.1μF 25V K
C1705	QETN1AM-107Z	E CAP.	100μF 10V M
C1706	NCB21EK-104X	C CAP.	0.1μF 25V K
C1707	QETN1HM-474Z	E CAP.	0.47μF 50V M
C1708	QETN1EM-476Z	E CAP.	47μF 25V M
C1709-10	NDC21HJ-9R0X	C CAP.	9.0pF 50V J
C1711	NCB21EK-104X	C CAP.	0.1μF 25V K
C1712	NDC21HJ-151X	C CAP.	150pF 50V J
C1713	QETN1HM-105Z	E CAP.	1μF 50V M
C1714	NDC21HJ-561X	C CAP.	560pF 50V J
C1715	QETN1HM-105Z	E CAP.	1μF 50V M
C1717	QETN1HM-105Z	E CAP.	1μF 50V M
C1718	NCB21HK-333X	C CAP.	0.033μF 50V K
C1719	NCB21EK-104X	C CAP.	0.1μF 25V K
C1723	NCB21HK-102X	C CAP.	1000pF 50V K
C1724	QETN1HM-106Z	E CAP.	10μF 50V M
C1725	NCB21HK-102X	C CAP.	1000pF 50V K

△ Symbol No.	Part No.	Part Name	Description
COIL			
L1001	QQL244K-5R6Z	PEAKING COIL	5.6μH
L1002	QQL244K-270Z	PEAKING COIL	27μH
L1201	QQL244K-330Z	PEAKING COIL	33μH
L1301-02	QQL244K-4R7Z	PEAKING COIL	4.7μH
L1303-04	QQL244K-470Z	PEAKING COIL	47μH
L1305	QQL244K-4R7Z	PEAKING COIL	4.7μH
L1307	CE41433-001Z	BEADS CORE	
L1501	QQL244J-151Z	PEAKING COIL	150μH
L1701	QQL244K-4R7Z	PEAKING COIL	4.7μH
L1702	QQL244K-3R9Z	PEAKING COIL	3.9μH

△ Symbol No.	Part No.	Part Name	Description
DIODE			
D1301	MA3051/M/-X	ZENER DIODE	
D1302	MA111-X	SI DIODE	
D1331-33	MA3047/H/-X	ZENER DIODE	
D1334-36	MA111-X	SI DIODE	
D1351-53	MA111-X	SI DIODE	
D1402	MA111-X	SI DIODE	
D1503	RB100A-T2	SI DIODE	
D1601	MA3062-X	ZENER DIODE	
D1602	MA111-X	SI DIODE	
D1608-10	MA111-X	SI DIODE	
D1612	MA111-X	SI DIODE	
D1617-18	MA3330/L/-X	ZENER DIODE	
D1624-25	MA111-X	SI DIODE	
D1704	MA111-X	SI DIODE	
D1706	MA111-X	SI DIODE	

△ Symbol No.	Part No.	Part Name	Description
TRANSISTOR			
Q1201	25C2412K/QR/-X	SI TRANSISTOR	
Q1251-52	25C2412K/QR/-X	SI TRANSISTOR	
Q1253-54	25A1037AK/QR/-X	SI TRANSISTOR	
Q1255-56	DTC124EKA-X	DIGI. TRANSISTOR	
Q1301-03	25A1037AK/QR/-X	SI TRANSISTOR	
Q1306-07	25A1037AK/QR/-X	SI TRANSISTOR	
Q1309	25C2412K/QR/-X	SI TRANSISTOR	
Q1310	25A1037AK/QR/-X	SI TRANSISTOR	
Q1341	25A1037AK/QR/-X	SI TRANSISTOR	
Q1351-54	25C2412K/QR/-X	SI TRANSISTOR	
Q1355	25A1037AK/QR/-X	SI TRANSISTOR	
Q1501-03	25C2412K/QR/-X	SI TRANSISTOR	
Q1604	25A1037AK/QR/-X	SI TRANSISTOR	
Q1609	25A1037AK/QR/-X	SI TRANSISTOR	
Q1610	DTC323TK-X	DIGI. TRANSISTOR	
Q1612	DTC323TK-X	DIGI. TRANSISTOR	
Q1613	25A1037AK/QR/-X	SI TRANSISTOR	
Q1614	25C2412K/QR/-X	SI TRANSISTOR	
Q1706	25A1037AK/QR/-X	SI TRANSISTOR	
Q1707	25C2412K/QR/-X	SI TRANSISTOR	
Q1708	25A1037AK/QR/-X	SI TRANSISTOR	
Q1709-10	25C2412K/QR/-X	SI TRANSISTOR	
Q1711	25A1037AK/QR/-X	SI TRANSISTOR	
Q1712	25C2412K/QR/-X	SI TRANSISTOR	
Q1903-04	25C2412K/QR/-X	SI TRANSISTOR	

△ Symbol No.	Part No.	Part Name	Description
IC			
IC1201	TA1226N	I C	
IC1251	CXA2039M-X	I C	
IC1301	TB1227CN	I. C. (DIGI-OTHER)	
IC1501	AN5441SA-W	I. C. (MONO-ANA)	
IC1502	AN78L05-T	I. C. (MONO-ANA)	
IC1551	LA6515	I. C. (MONO-ANA)	
IC1601	AN5277	I. C. (MONO-ANA)	
IC1605	BA4558F-X	I. C. (MONO-ANA)	
IC1606	AN7395S-W	I C	
IC1607	TDA7315D	I. C. (DIGI-OTHER)	
IC1701	M37280MF-173SP	I. C. (MICRO-COMP)	
IC1702	AT24C16-29RSB	I. C.	(SERVICE)
IC1703	L78L05E-MA	I. C. (MONO-ANA)	

Symbol No.	Part No.	Part Name	Description
OTHERS			
△ CP1601	ICP-N50-Y	I. C. PROTECT	
DL1341	CE40986-A01	DELAY LINE	
K1001-02	CE41433-001Z	BEADS CORE	
K1005	CE41433-001Z	BEADS CORE	
LC1301	CE42142-222Z	EMI FILTER	
TU1001	QAU0197-002	TUNER	
X1301	QAX0305-001Z	CRYSTAL	
X1701	CST8.00MTHW	CER. RESONATOR	

POWER & DEF PW BOARD ASS'Y (SJK-2004A-H2)

Symbol No.	Part No.	Part Name	Description
RESISTOR			
R2401	QRA14CF-1202Y	MF R	12kΩ 1/4W F
R2402	QRA14CF-1502Y	MF R	15kΩ 1/4W F
R2404	QRE141J-821Y	C R	820Ω 1/4W J
R2405	QRA14CF-8200Y	MF R	820Ω 1/4W F
R2406	QRE141J-392Y	C R	3.9kΩ 1/4W J
R2408	QRE141J-222Y	C R	2.2kΩ 1/4W J
R2409	QRE141J-103Y	C R	10kΩ 1/4W J
R2410	QRE141J-102Y	C R	1kΩ 1/4W J
R2414	QRE121J-1R5Y	C R	1.5Ω 1/2W J
R2415	QRT01EJ-1R0X	MF R	1.0Ω 1W J
R2416	QRL01EJ-221X	OM R	220Ω 1W J
R2417	QRE121J-1R0Y	C R	1.0Ω 1/2W J
R2418	QRE141J-154Y	C R	150kΩ 1/4W J
R2451	QRE121J-184Y	C R	180kΩ 1/2W J
R2452	QRE121J-823Y	C R	82kΩ 1/2W J
R2453	QRE121J-473Y	C R	47kΩ 1/2W J
R2454	QRE121J-153Y	C R	15kΩ 1/2W J
R2461	QRE141J-331Y	C R	330Ω 1/4W J
R2463-64	QRE121J-392Y	C R	3.9kΩ 1/2W J
R2465	QRE121J-472Y	C R	4.7kΩ 1/2W J
R2466	QRE121J-821Y	C R	820Ω 1/2W J
R2467	QRL03EJ-270X	OM R	27Ω 3W J
R2468	QRE141J-823Y	C R	82kΩ 1/4W J
R2469	QRE141J-822Y	C R	8.2kΩ 1/4W J
R2470	QRE141J-0R0Y	C R	0.0Ω 1/4W J
R2492	QRE141J-683Y	C R	68kΩ 1/4W J
R2493	QRE141J-224Y	C R	220kΩ 1/4W J
△ R2494	QRZ9017-4R7	F R	4.7Ω 1/4W J
R2495	QRE141J-103Y	C R	10kΩ 1/4W J
R2496	QRE141J-183Y	C R	18kΩ 1/4W J
R2497	QRE141J-153Y	C R	15kΩ 1/4W J
R2502	QRE141J-222Y	C R	2.2kΩ 1/4W J
R2503	QRE121J-152Y	C R	1.5kΩ 1/2W J
R2504-05	QRL03EJ-182X	OM R	1.8kΩ 3W J
R2521	QRE121J-220Y	C R	22Ω 1/2W J
R2522	QRL03EJ-103X	OM R	10kΩ 3W J
R2523	QRE121J-471Y	C R	470Ω 1/2W J
△ R2524	QRZ9017-4R7	F R	4.7Ω 1/4W J
R2525	QRE141J-222Y	C R	2.2kΩ 1/4W J
R2542	QRE121J-222Y	C R	2.2kΩ 1/2W J

Symbol No.	Part No.	Part Name	Description
RESISTOR			
R2544	QRE121J-104Y	C R	100kΩ 1/2W J
R2545	QRE141J-123Y	C R	12kΩ 1/4W J
△ R2551	QRZ9021-2R2	F R	2.2Ω 1W J
△ R2552	QRZ9021-2R2	F R	2.2Ω 1W J
R2553	QRF104K-3R9	UNF R	3.9Ω 10W K
△ R2554	QRZ9022-R47	FUSI. RESISTOR	0.47 Ω 1W K
△ R2555	QRZ9011-4R7	F R	4.7Ω 1/2W J
R2591	QRE121J-682Y	C R	6.8kΩ 1/2W J
R2592	QRA14CF-1001Y	MF R	1kΩ 1/4W F
R2593	QRE141J-183Y	C R	18kΩ 1/4W J
R2594	QRE141J-222Y	C R	2.2kΩ 1/4W J
R2597	QRE141J-273Y	C R	27kΩ 1/4W J
△ R2901	QRZ0123-121	UNF R	120 Ω 7W J
△ R2903	QRZ0186-1R8	UNF R	1.8Ω 15W J
R2904-05	QRE121J-274Y	C R	270kΩ 1/2W J
R2906	QRE141J-333Y	C R	33kΩ 1/4W J
R2908	QRE121J-684Y	C R	680kΩ 1/2W J
R2909	QRG039J-683	OM R	68kΩ 3W J
R2910	QRE121J-681Y	C R	680Ω 1/2W J
R2911	QRM059J-R15	MF R	0.15Ω 5W J
△ R2913	QRT029J-4R7	MF R	4.7Ω 2W J
R2914	QRE121J-152Y	C R	1.5kΩ 1/2W J
R2915	QRE141J-152Y	C R	1.5kΩ 1/4W J
R2916	QRE141J-103Y	C R	10kΩ 1/4W J
R2917	QRL02EJ-220X	OM R	22Ω 2W J
R2918	QRE121J-332Y	C R	3.3kΩ 1/2W J
R2921	QRG016J-470	OM R	47Ω 1W J
R2935	QRE141J-473Y	C R	47kΩ 1/4W J
R2936	QRE141J-103Y	C R	10kΩ 1/4W J
R2952	QRE141J-182Y	C R	1.8kΩ 1/4W J
R2953	QRE141J-222Y	C R	2.2kΩ 1/4W J
R2954	QRE141J-562Y	C R	5.6kΩ 1/4W J
R2955	QRE141J-822Y	C R	8.2kΩ 1/4W J
R2956	QRE141J-562Y	C R	5.6kΩ 1/4W J
R2957	QRE141J-332Y	C R	3.3kΩ 1/4W J
R2958	QRE141J-103Y	C R	10kΩ 1/4W J
R2959	QRE141J-683Y	C R	68kΩ 1/4W J
R2960	QRE141J-562Y	C R	5.6kΩ 1/4W J
R2961	QRE141J-683Y	C R	68kΩ 1/4W J
R2962	QRE141J-394Y	C R	390kΩ 1/4W J
R2963	QRE141J-562Y	C R	5.6kΩ 1/4W J
R2964	QRE121J-102Y	C R	1kΩ 1/2W J
R2965	QRE141J-222Y	C R	2.2kΩ 1/4W J
R2966	QRE141J-683Y	C R	68kΩ 1/4W J
R2967	QRL03EJ-223X	OM R	22kΩ 3W J
R2968	QRE141J-391Y	C R	390Ω 1/4W J
R2969	QRE141J-182Y	C R	1.8kΩ 1/4W J
R2970	QRL01EJ-181X	OM R	180Ω 1W J
R2971	QRE141J-471Y	C R	470Ω 1/4W J
R2972	QRE141J-391Y	C R	390Ω 1/4W J
R2973	QRE141J-182Y	C R	1.8kΩ 1/4W J
R2974	QRE141J-683Y	C R	68kΩ 1/4W J
R2976	QRT029J-3R9	MF R	3.9Ω 2W J
R2977	QRT02EJ-1R8X	MF R	1.8Ω 2W J
R2980	QRT01EJ-2R7X	MF R	2.7Ω 1W J
R2981	QRL03EJ-150X	OM R	15kΩ 3W J
R2982	QRE141J-682Y	C R	6.8kΩ 1/4W J
R2983	QRE141J-561Y	C R	560Ω 1/4W J
△ R2991	QRZ0057-825	C R	8.2MΩ 1W J

CAPACITOR

C2401	QEHR1VM-227Z	E CAP.	220μF 35V M
C2402	QETM1VM-108	E CAP.	1000μF 35V M
C2403	QFLC2AJ-683Z	M CAP.	0.068μF 100V J
C2404	QETN1HM-105Z	E CAP.	1μF 50V M
C2405	QFLC1HJ-472Z	M CAP.	4700pF 50V J
C2406	QCZ0337-180Z	C CAP.	18pF 2kV J
C2407	QFLC1HJ-102Z	M CAP.	1000pF 50V J
C2408	QETN1HM-106Z	E CAP.	10μF 50V M

△ Symbol No.	Part No.	Part Name	Description
CAPACITOR			
C2410	QFV71HJ-334Z	MF CAP.	0.33μF 50V J
C2411	QFLC2AJ-563Z	M CAP.	0.056μF 100V J
C2412	QFV71HJ-334Z	MF CAP.	0.33μF 50V J
C2451	QFV71HJ-104Z	MF CAP.	0.1μF 50V J
C2461	QEZO195-475Z	E CAP.	4.7μF 50V K
C2462	QETN1HM-106Z	E CAP.	10μF 50V M
C2463	QFLC1HJ-153Z	M CAP.	0.015μF 50V J
C2464	QFLC1HJ-333Z	M CAP.	0.033μF 50V J
C2465	QCZO120-104Z	C CAP.	0.1μF 25V Z
C2466	QETN1HM-106Z	E CAP.	10μF 50V M
C2491	QETN1HM-105Z	E CAP.	1μF 50V M
C2492	QETN1HM-106Z	E CAP.	10μF 50V M
C2502	QCB32HK-681Z	C CAP.	680pF 500V K
C2503	QEHR2CM-105Z	E CAP.	1μF 160V M
△ C2521	QFZO200-40Z	MPP CAP.	4000pF1.5kVH ±3%
△ C2522	QFZO200-113	MPP CAP.	0.011μF1.5kVH ±3%
△ C2523	QFP32GJ-223	PP CAP.	0.022μF 400V J
△ C2524	QFZO199-104	MPP CAP.	0.1μF 250V J
△ C2526	QFZO199-104	MPP CAP.	0.1μF 250V J
C2527	QEHR2EM-475Z	E CAP.	4.7μF 250V M
△ C2529	QFZO128-393	MPP CAP.	0.039μF 400V ±3%
C2530	QCB32HK-561Z	C CAP.	560pF 500V K
C2531	QFLC1HJ-103Z	M CAP.	0.01μF 50V J
△ C2542	QFZO199-124	MPP CAP.	0.12μF 250V J
C2551	QETN2EM-106Z	E CAP.	10μF 250V M
C2553	QEHQ1EM-108	E CAP.	1000μF 25V M
C2555	QEHQ1EM-108	E CAP.	1000μF 25V M
C2560	QETM2CM-22Z	E CAP.	220μF 160V M
C2591	QETN1AM-107Z	E CAP.	100μF 10V M
C2592	QETN1EM-476Z	E CAP.	47μF 25V M
C2594	QETN1AM-227Z	E CAP.	220μF 10V M
△ C2902	QCZ9015-102Z	C CAP.	1000pFAC250V Z
△ C2903	QCZ9015-102Z	C CAP.	1000pFAC250V Z
△ C2905	QCZ9015-102Z	C CAP.	1000pFAC250V Z
△ C2906	QCZ9015-102Z	C CAP.	1000pFAC250V Z
△ C2907	QEZO371-33Z	E CAP.	330μF 400V M
C2908	QCB32HK-103	C CAP.	0.01μF 500V K
C2911	QCZO325-821	C CAP.	820pF 2000V K
C2912	QCS31HJ-471Z	C CAP.	470pF 50V J
C2913	QETN1HM-476Z	E CAP.	47μF 50V M
C2916	QETN1HM-107Z	E CAP.	100μF 50V M
C2917	QFV71HJ-104Z	MF CAP.	0.1μF 50V J
C2918	QCB31HK-152Z	C CAP.	1500pF 50V K
C2919	QFLC1HJ-223Z	M CAP.	0.022μF 50V J
△ C2920	QFZ9040-104	MF CAP.	0.1μFAC275V M
△ C2921	QFZ9040-473	MF CAP.	0.047μFAC275V M
C2922	QCB32HK-103	C CAP.	0.01μF 500V K
C2951	QCZO115-561Z	C CAP.	560pF 2kV K
C2952	QEZO203-22Z	E CAP.	220μF 160V M
C2953	QCB32HK-391Z	C CAP.	390pF 500V K
C2954	QEHR1EM-108Z	E CAP.	1000μF 25V M
C2955	QCB32HK-181Z	C CAP.	180pF 500V K
C2956	QEHQ1CM-228	E CAP.	2200μF 16V M
C2959	QETM1VM-228	E CAP.	2200μF 35V M
C2962	QFV71HJ-104Z	MF CAP.	0.1μF 50V J
C2964	QFV71HJ-684Z	MF CAP.	0.68μF 50V J
C2965	QFLC1HJ-103Z	M CAP.	0.01μF 50V J
C2966	QFLC1HJ-473Z	M CAP.	0.047μF 50V J
C2967	QFV71HJ-104Z	MF CAP.	0.1μF 50V J
C2968	QETN1HM-475Z	E CAP.	4.7μF 50V M
C2969	QEHR1CM-477Z	E CAP.	470μF 16V M
C2970	QEHR1CM-107Z	E CAP.	100μF 16V M
C2971	QCZO120-104Z	C CAP.	0.1μF 25V Z
C2972	QEHR1CM-227Z	E CAP.	220μF 16V M
C2973	QETN1EM-476Z	E CAP.	47μF 25V M
C2974	QETN1HM-475Z	E CAP.	4.7μF 50V M
C2975	QEHR1AM-227Z	E CAP.	220μF 10V M
C2976	QETN1EM-476Z	E CAP.	47μF 25V M
△ C2982	QCZO115-471Z	C CAP.	470pF 2kV K
△ C2991	QCZ9079-10Z	C CAP.	1000pFAC250V M
△ C2992	QCZ9079-471	C CAP.	470pFAC250V K
△ C2993	QCZ9079-471	C CAP.	470pFAC250V K

△ Symbol No.	Part No.	Part Name	Description
TRANSFORMER			
T2501	CE42034-00Z	H. DRIVE TRANSF.	
△ T2551	QQH0075-001	H.V. TRANSF.	
△ T2901	QOS0075-001	SWITCH. TRANSF.	

COIL			
L2461	QQR1138-001	CHOKE COIL	
L2521	QQLZ028-501	CHOKE COIL	
L2522	QQR1137-00Z	LINEARITY COIL	
L2901-02	QQL402K-100	COIL	10μH
L2951	QQLZ026-460	HEATER CHOKE	
L2952-54	QQLZ6AM-5R6Z	CHOKE COIL	

DIODE			
D2401	MTZJ75-T2	ZENER DIODE	
D2402	1N4003-T2	SI. DIODE	
D2451	RGP10J-5025-T3	SI. DIODE	
D2491	RGP10J-5025-T3	SI. DIODE	
D2492	MTZJ22B-T2	ZENER DIODE	
D2493-95	1SS133-T2	SI. DIODE	
D2521	RH3G-F1	SI. DIODE	
D2522	RU30-F1	SI. DIODE	
D2523	RGP10J-5025-T3	SI. DIODE	
D2525	MTZJ9.1B-T2	ZENER DIODE	
D2551	RH1S-LFA1	SI. DIODE	
D2553-54	RU3AM-LFC4	SI. DIODE	
D2592	MTZJ7.5B-T2	ZENER DIODE	
△ D2594	MTZJ7.5S-T2	ZENER DIODE	
D2901	D3SB60	BRIDGE DIODE	
D2902	SARS01-T2	DIODE	
D2903	MTZJ6.8C-T2	ZENER DIODE	
D2904-05	RGP10J-5025-T3	SI. DIODE	
D2906	MTZJ8.2B-T2	ZENER DIODE	
D2907	MTZJ20B-T2	ZENER DIODE	
D2908-09	1SS133-T2	SI. DIODE	
D2911	MTZJ15B-T2	ZENER DIODE	
D2912	1SS133-T2	SI. DIODE	
D2913	MTZJ27B-T2	ZENER DIODE	
D2914	1SS133-T2	SI. DIODE	
D2951	RU4B-F1	SI. DIODE	
D2952	1SS133-T2	SI. DIODE	
D2953-55	RU30Y-F1	SI. DIODE	
D2958	1SR35-400A-T2	SI. DIODE	
D2959	MTZJ9.1B-T2	ZENER DIODE	
D2960	MTZJ7.5S-T2	ZENER DIODE	
D2961-62	AG01Z-T2	SI. DIODE	
D2964	MTZJ33B-T2	ZENER DIODE	
D2965-68	1SS133-T2	SI. DIODE	
D2969	R4KL-F1	SI. DIODE	
D2970	AG01-T2	SI. DIODE	
D2972	1SS133-T2	SI. DIODE	
D2981-83	1SS133-T2	SI. DIODE	

TRANSISTOR			
Q2401	DTC124ESA-T	DIGI. TRANSISTOR	
Q2402	2SC1740S/QR/-T	SI. TRANSISTOR	
Q2451	DTC124ESA-T	DIGI. TRANSISTOR	
Q2461	2SD1408/OY/-LB	SI. TRANSISTOR	
Q2462-63	2SA933AS/QR/-T	SI. TRANSISTOR	
Q2464	2SC1740S/QR/-T	SI. TRANSISTOR	
Q2501	BSN304-T	F. E. T.	
△ Q2521	2SC5517-RL	SI. TRANSISTOR	H. OUT
Q2542	DTC124ESA-T	DIGI. TRANSISTOR	
Q2544	2SK2459N-F54	F. E. T.	
Q2591	2SA1208/ST/Z1-T	SI. TRANSISTOR	
Q2592	DTC124ESA-T	DIGI. TRANSISTOR	
Q2593	2SC1740S/QR/-T	SI. TRANSISTOR	
Q2901	2SC1740S/QR/-T	SI. TRANSISTOR	
Q2932	2SC1740S/QR/-T	SI. TRANSISTOR	
Q2951-58	2SC1740S/QR/-T	SI. TRANSISTOR	

Symbol No.	Part No.	Part Name	Description
IC			
△ IC2401	LA7841	I. C. (MONO-ANA)	
△ IC2901	STR-F6456S/F7	I C	
IC2951	SE135N	I. C. (HYBRID)	
IC2952	PQ12RD21	I. C. (HYBRID)	
IC2953	BA09T	I. C. (MONO-ANA)	
IC2954	PQ05RD21	I C	

OTHERS			
△ CP2952	ICP-N38-Y	I. C. PROTECT	
K2401	CE41433-001Z	BEADS CORE	
K2902	QQR0679-001	FERRITE BEADS	
K2951	QQR0872-001Y	FERRITE BEADS	
△ LF2901	QQR1035-002	LINE FILTER	
△ PC2541	PC123F2	I. C. (PH. COUPLER)	
△ PC2901	PC123F2	I. C. (PH. COUPLER)	
△ RY2951	QSK0099-001	RELAY	
△ TH2901	QAD0119-9R0	P.THERMISTOR	

CRT SOCKET PW BOARD ASS'Y (SJK-3002A-H2)

Symbol No.	Part No.	Part Name	Description
RESISTOR			
R3101-03	NRSA02J-101X	MG R	100Ω 1/10W J
R3107-09	NRSA02J-182X	MG R	1.8kΩ 1/10W J
R3110-12	NRSA02J-151X	MG R	150Ω 1/10W J
R3113-15	NRSA02J-470X	MG R	47Ω 1/10W J
R3116-21	QRL02EJ-153X	OM R	15kΩ 2W J
R3125-27	QRZ0107-102Z	C R	1kΩ 1/2W K
R3128	NRSA02J-122X	MG R	1.2kΩ 1/10W J
R3130	QRL01EJ-121X	OM R	120Ω 1W J
R3135	QRZ0107-474Z	C R	470kΩ 1/2W K
R3136	QRE121J-474Y	C R	470kΩ 1/2W J
R3137	QRZ0107-102Z	C R	1kΩ 1/2W K
R3138	QRE121J-105Y	C R	1MΩ 1/2W J
R3303	NRSA02J-0R0X	MG R	0.0Ω 1/10W J
R3312	NRSA02J-153X	MG R	15kΩ 1/10W J
R3313	NRSA02J-152X	MG R	1.5kΩ 1/10W J
R3314	NRSA02J-820X	MG R	82Ω 1/10W J
R3315	NRSA02J-221X	MG R	220Ω 1/10W J
R3316	NRSA02J-222X	MG R	2.2kΩ 1/10W J
R3317	NRSA02J-470X	MG R	47Ω 1/10W J
△ R3318	QRJ146J-100X	C R	100Ω 1/4W J
R3319	NRSA02J-470X	MG R	47Ω 1/10W J
R3320	NRSA02J-122X	MG R	1.2kΩ 1/10W J
R3321	NRSA02J-390X	MG R	39Ω 1/10W J
R3322	QRE121J-2R7Y	C R	2.7Ω 1/2W J
R3323-24	QRE121J-563Y	C R	56kΩ 1/2W J
R3325	NRSA02J-122X	MG R	1.2kΩ 1/10W J
R3326	QRE121J-2R7Y	C R	2.7Ω 1/2W J
R3327	NRSA02J-390X	MG R	39Ω 1/10W J

Symbol No.	Part No.	Part Name	Description
RESISTOR			
R3328	NRSA02J-121X	MG R	120Ω 1/10W J
R3329	QRL02EJ-391X	OM R	390Ω 2W J
R3332	NRSA02J-333X	MG R	33kΩ 1/10W J
R3333	NRSA02J-473X	MG R	47kΩ 1/10W J
R3334	NRSA02J-333X	MG R	33kΩ 1/10W J
R3335	NRSA02J-473X	MG R	47kΩ 1/10W J

CAPACITOR			
C3101-03	NDC21HJ-471X	C CAP.	470pF 50V J
C3104	QETN1CM-107Z	E CAP.	100μF 16V M
C3105	QETN1EM-476Z	E CAP.	47μF 25V M
C3113	QCZ0131-22Z	C CAP.	2200pF 2000V K
C3114	QETM2EM-336	E CAP.	33μF 250V M
C3115	QETM2EM-106	E CAP.	10μF 250V M
C3116	NDC21HJ-471X	C CAP.	470pF 50V J
C3304	NCB21HK-103X	C CAP.	0.01μF 50V K
C3305	QETN1HM-335Z	E CAP.	3.3μF 50V M
C3306	QETN1CM-107Z	E CAP.	100μF 16V M
C3307	NDC21HJ-5R0X	C CAP.	5.0pF 50V J
C3308	QETN2CM-106Z	E CAP.	10μF 160V M
C3309	QCB32HK-472Z	C CAP.	4700pF 500V K
C3310	QETN2CM-106Z	E CAP.	10μF 160V M
C3311	NDC21HJ-561X	C CAP.	560pF 50V J
C3312	QCB32HK-472Z	C CAP.	4700pF 500V K
C3313	NDC21HJ-271X	C CAP.	270pF 50V J
C3314	QETN1CM-107Z	E CAP.	100μF 16V M
C3315	QCS32HJ-680Z	C CAP.	68pF 500V J
C3316	QETN1CM-107Z	E CAP.	100μF 16V M
C3317	QETN1AM-337Z	E CAP.	330μF 10V M
C3318	NDC21HJ-561X	C CAP.	560pF 50V J

DIODE		
D3164	1SR35-400A-T2	SI. DIODE
D3302-03	RH15-T3	SI. DIODE
D3304-05	MA111-X	SI. DIODE

TRANSISTOR		
Q3101-03	2SC1740S/QR/-T	SI. TRANSISTOR
Q3104-06	2SC4544-LB	SI. TRANSISTOR
Q3304-05	2SC1740S/QR/-T	SI. TRANSISTOR
Q3306	2SA933AS/QR/-T	SI. TRANSISTOR
Q3307	2SA1837	SI. TRANSISTOR
Q3308	2SC4793	SI. TRANSISTOR
Q3311	2SA1037AK/QR/-X	SI. TRANSISTOR
Q3312	2SC2412K/QR/-X	SI. TRANSISTOR

OTHERS			
△ FR3330	QRZ9021-561	F R	560Ω 1W J
K3301-04	CE41492-001Z	CHOKE COIL	
△ SK3001	CE42446-001	C. R. T. SOCKET	

**FRONT CONTROL PW BOARD ASS'Y
(SJK-8003A-H2)**

△ Symbol No.	Part No.	Part Name	Description
RESISTOR			
R8801-02	NRSA02J-561X	MG R	560Ω 1/10W J
R8805	NRSA02J-821X	MG R	820Ω 1/10W J
R8806	NRSA02J-102X	MG R	1kΩ 1/10W J
R8807	NRSA02J-822X	MG R	8.2kΩ 1/10W J
R8808	NRSA02J-682X	MG R	6.8kΩ 1/10W J
R8809	NRSA02J-103X	MG R	10kΩ 1/10W J
R8810	NRSA02J-822X	MG R	8.2kΩ 1/10W J
R8811	NRSA02J-682X	MG R	6.8kΩ 1/10W J
R8812	NRSA02J-103X	MG R	10kΩ 1/10W J
R8813-14	QRE121J-271Y	C R	270Ω 1/2W J
R8815-16	NRSA02J-102X	MG R	1kΩ 1/10W J
R8851	NRSA02J-682X	MG R	6.8kΩ 1/10W J
R8861	NRSA02J-562X	MG R	5.6kΩ 1/10W J
R8863	NRSA02J-472X	MG R	4.7kΩ 1/10W J
R8864	NRSA02J-222X	MG R	2.2kΩ 1/10W J
△ R8901	QRZ0111-474	C R	470kΩ 1/2W K

CAPACITOR			
C8301-02	NCB21HK-472X	C CAP.	4700pF 50V K
C8303	NCB21EK-104X	C CAP.	0.1μF 25V K
C8801-02	NCB21HK-222X	C CAP.	2200pF 50V K
C8851	NCB21EK-104X	C CAP.	0.1μF 25V K
C8852	QETN1CM-107Z	E CAP.	100μF 16V M
C8861	QETN1HM-106Z	E CAP.	10μF 50V M
△ C8901	QFZ9040-104	MF CAP.	0.1μFAC275V M
△ C8902	QFZ9040-474	MF CAP.	0.47μFAC275V M
△ C8991	QCZ9079-102	C CAP.	1000pFAC250V M

COIL			
L8301	QQL211K-270Y	PEAKING COIL	27μH
L8302	QQR0716-001Z	LEAD CORE	
L8303	QQL211K-270Y	PEAKING COIL	27μH
L8801-02	QQL211K-5R6Y	PEAKING COIL	5.6μH
L8803	QQR0716-001Z	LEAD CORE	

DIODE			
D8801	SPR-39MVMF	L. E. D.	
D8803	SLR-342DU-T16	L. E. D. (ORG)	
D8804	SLR-342MG-T16	L. E. D. (GRN)	
D8805	MA111-X	SI. DIODE	
D8851	MA3068/M/-X	ZENER DIODE	
D8861	MA111-X	SI. DIODE	
D8862	P1241-04	C. D. S.	

TRANSISTOR			
Q8801-02	DTA124EKA-X	DIGI. TRANSISTOR	
Q8804	DTC124EKA-X	DIGI. TRANSISTOR	
Q8805	2SA1037AK/QR/-X	SI. TRANSISTOR	
Q8861	2SA1037AK/QR/-X	SI. TRANSISTOR	

IC			
IC8851	GP1U281Q	IFR DETECT UNIT	

△ Symbol No.	Part No.	Part Name	Description
OTHERS			
	CM35921-005-H	CDS HOLDER	
	CM36626-B01-H	L. E. D. HOLDER	
	CEMG002-001Z	FUSE CLIP	
△ F8901	QMF51E2-4R0J4	FUSE	4A
J8302	QNN0279-003	PIN JACK	
J8303	QNN0279-002	PIN JACK	
J8304	QNN0279-001	PIN JACK	
J8801	QNS0155-001	JACK	
△ LF8901	QQR0673-004	LINE FILTER	
S8801	QSW0619-003Z	PUSH SWITCH	MENU
S8802	QSW0619-003Z	PUSH SWITCH	CH DOWN
S8803	QSW0619-003Z	PUSH SWITCH	CH UP
S8804	QSW0619-003Z	PUSH SWITCH	TV/VIDEO
S8805	QSW0619-003Z	PUSH SWITCH	VOL DOWN
S8806	QSW0619-003Z	PUSH SWITCH	VOL UP
△ S8901	QSW0824-001	PUSH SWITCH	MAIN POWER
△ VA8901	ERZV10V621CS	VARIATOR	

AV SEL. PW BOARD ASS'Y (SJK0S006A-H2)

△ Symbol No.	Part No.	Part Name	Description
RESISTOR			
R0101-08	NRSA02J-750X	MG R	75Ω 1/10W J
R0110	NRSA02J-823X	MG R	82kΩ 1/10W J
R0112	NRSA02J-823X	MG R	82kΩ 1/10W J
R0113	NRSA02J-333X	MG R	33kΩ 1/10W J
R0114-15	NRSA02J-391X	MG R	390Ω 1/10W J
R0116	NRSA02J-104X	MG R	100kΩ 1/10W J
R0119-20	NRSA02J-222X	MG R	2.2kΩ 1/10W J
R0121-22	NRSA02J-333X	MG R	33kΩ 1/10W J
R0123	NRSA02J-222X	MG R	2.2kΩ 1/10W J
R0124	NRSA02J-333X	MG R	33kΩ 1/10W J
R0125	NRSA02J-222X	MG R	2.2kΩ 1/10W J
R0126	NRSA02J-333X	MG R	33kΩ 1/10W J
R0127	NRSA02J-750X	MG R	75Ω 1/10W J
R0128	NRSA02J-222X	MG R	2.2kΩ 1/10W J
R0129	NRSA02J-333X	MG R	33kΩ 1/10W J
R0130	NRSA02J-222X	MG R	2.2kΩ 1/10W J
R0131	NRSA02J-333X	MG R	33kΩ 1/10W J
R0132-35	NRSA02J-101X	MG R	100Ω 1/10W J
R0137	NRSA02J-101X	MG R	100Ω 1/10W J
R0140-43	NRSA02J-101X	MG R	100Ω 1/10W J
R0146-51	NRSA02J-101X	MG R	100Ω 1/10W J
R0152	NRSA02J-222X	MG R	2.2kΩ 1/10W J
R0153	NRSA02J-333X	MG R	33kΩ 1/10W J
R0154	NRSA02J-222X	MG R	2.2kΩ 1/10W J
R0155	NRSA02J-333X	MG R	33kΩ 1/10W J
R0156	NRSA02J-101X	MG R	100Ω 1/10W J
R0157-58	NRSA02J-562X	MG R	5.6kΩ 1/10W J
R0159-60	NRSA02J-102X	MG R	1kΩ 1/10W J
R0162	NRSA02J-103X	MG R	10kΩ 1/10W J
R0164-65	NRSA02J-221X	MG R	220Ω 1/10W J
R0166	NRSA02J-101X	MG R	100Ω 1/10W J
R0167	QRK126J-121X	C R	120Ω 1/2W J
R0170	NRSA02J-102X	MG R	1kΩ 1/10W J
R0301	NRSA02J-102X	MG R	1kΩ 1/10W J
R0306	NRSA02J-151X	MG R	150Ω 1/10W J
R0307	NRSA02J-272X	MG R	2.7kΩ 1/10W J
R0311-12	NRSA02J-102X	MG R	1kΩ 1/10W J
R0326	NRSA02J-102X	MG R	1kΩ 1/10W J
R0327	NRSA02J-681X	MG R	680Ω 1/10W J
R0328	NRSA02J-472X	MG R	4.7kΩ 1/10W J

△ Symbol No. Part No. Part Name Description

RESISTOR

R0329	NRSA02J-391X	MG R	390Ω 1/10W J
R0330	NRSA02J-122X	MG R	1.2kΩ 1/10W J
R0331	NRSA02J-103X	MG R	10kΩ 1/10W J
R0332	NRSA02J-472X	MG R	4.7kΩ 1/10W J
R0333	NRSA02J-152X	MG R	1.5kΩ 1/10W J
R0334-35	NRSA02J-0R0X	MG R	0.0Ω 1/10W J
R0336	NRSA02J-152X	MG R	1.5kΩ 1/10W J
R0337	NRSA02J-103X	MG R	10kΩ 1/10W J
R0338	NRSA02J-153X	MG R	15kΩ 1/10W J
R0339-40	NRSA02J-103X	MG R	10kΩ 1/10W J
R0341	NRSA02J-821X	MG R	820Ω 1/10W J
R0342-44	NRSA02J-102X	MG R	1kΩ 1/10W J
R0345	NRSA02J-222X	MG R	2.2kΩ 1/10W J
R0346	NRSA02J-272X	MG R	2.7kΩ 1/10W J
R0347	NRSA02J-392X	MG R	3.9kΩ 1/10W J
R0348	NRSA02J-472X	MG R	4.7kΩ 1/10W J
R0349	NRSA02J-102X	MG R	1kΩ 1/10W J
R0350	NRSA02J-272X	MG R	2.7kΩ 1/10W J
R0351	NRSA02J-681X	MG R	680Ω 1/10W J
R0352	NRSA02J-102X	MG R	1kΩ 1/10W J
R0353	NRSA02J-681X	MG R	680Ω 1/10W J
R0354	NRSA02J-102X	MG R	1kΩ 1/10W J
R0355	NRSA02J-103X	MG R	10kΩ 1/10W J
R0356	NRSA02J-221X	MG R	220Ω 1/10W J
R0357	NRSA02J-562X	MG R	5.6kΩ 1/10W J
R0358	NRSA02J-102X	MG R	1kΩ 1/10W J
R0359	NRSA02J-103X	MG R	10kΩ 1/10W J
R0360	NRSA02J-561X	MG R	560Ω 1/10W J
R0361	NRSA02J-391X	MG R	390Ω 1/10W J
R0362	NRSA02J-472X	MG R	4.7kΩ 1/10W J
R0363	NRSA02J-681X	MG R	680Ω 1/10W J
R0364	NRSA02J-102X	MG R	1kΩ 1/10W J
R0365	NRSA02J-103X	MG R	10kΩ 1/10W J
R0366-68	NRSA02J-391X	MG R	390Ω 1/10W J
R0369	NRSA02J-472X	MG R	4.7kΩ 1/10W J
R0370-71	NRSA02J-821X	MG R	820Ω 1/10W J
R0601	NRSA02J-225X	MG R	2.2MΩ 1/10W J
R0602	NRSA02J-223X	MG R	22kΩ 1/10W J
R0605	NRSA02J-333X	MG R	33kΩ 1/10W J
R0611	NRSA02J-0R0X	MG R	0.0Ω 1/10W J
R0614	NRSA02J-103X	MG R	10kΩ 1/10W J
R0615	NRSA02J-223X	MG R	22kΩ 1/10W J
R0617	NRSA02J-103X	MG R	10kΩ 1/10W J
R0619-20	NRSA02J-103X	MG R	10kΩ 1/10W J
R0622	NRSA02J-103X	MG R	10kΩ 1/10W J
R0623	NRSA02J-223X	MG R	22kΩ 1/10W J
R0625	NRSA02J-0R0X	MG R	0.0Ω 1/10W J
R0653	NRSA02J-223X	MG R	22kΩ 1/10W J
R0654	NRSA02J-822X	MG R	8.2kΩ 1/10W J
R0655	NRSA02J-223X	MG R	22kΩ 1/10W J
R0656	NRSA02J-822X	MG R	8.2kΩ 1/10W J

CAPACITOR

C0101-02	NCB21HK-472X	C CAP.	4700pF 50V K
C0103-06	NCB21HK-152X	C CAP.	1500pF 50V K
C0107	QETN1AM-1082	E CAP.	1000μF 10V M
C0108-09	QETN1HM-1062	E CAP.	10μF 50V M
C0110-11	NCB21HK-103X	C CAP.	0.01μF 50V K
C0112-14	QETN1HM-1052	E CAP.	1μF 50V M
C0115-16	QETN1HM-1062	E CAP.	10μF 50V M
C0117-18	QETN1HM-1052	E CAP.	1μF 50V M
C0119	QETN1HM-1062	E CAP.	10μF 50V M
C0120	QETN1HM-1052	E CAP.	1μF 50V M
C0121	NCB21HK-103X	C CAP.	0.01μF 50V K
C0122	QETN1HM-1062	E CAP.	10μF 50V M
C0123	QETN1HM-1052	E CAP.	1μF 50V M
C0124	QETN1HM-1062	E CAP.	10μF 50V M
C0125	QETN1HM-1052	E CAP.	1μF 50V M
C0126	NCB21HK-103X	C CAP.	0.01μF 50V K

△ Symbol No. Part No. Part Name Description

CAPACITOR

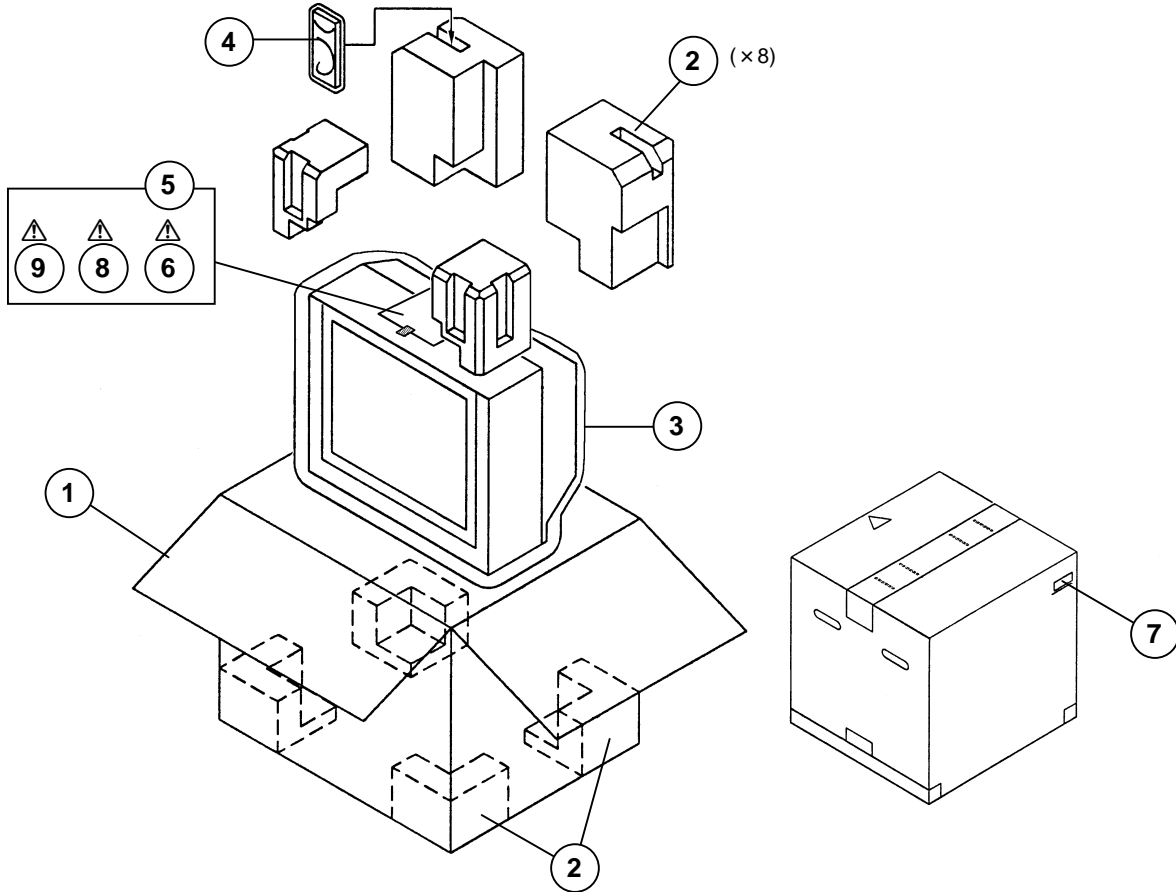
C0128	QETN1HM-106Z	E CAP.	10μF 50V M
C0129-30	QENC1EM-106Z	BP E CAP.	10μF 25V M
C0132	NDC21HJ-560X	C CAP.	56pF 50V J
C0133	QENC1EM-106Z	BP E CAP.	10μF 25V M
C0134	QETN1CM-107Z	E CAP.	100μF 16V M
C0135	NCB21HK-103X	C CAP.	0.01μF 50V K
C0136-37	NCF21CZ-105X	C CAP.	1μF 16V Z
C0138	QETN1CM-107Z	E CAP.	100μF 16V M
C0139-40	NCB21HK-152X	C CAP.	1500pF 50V K
C0301	NCB21HK-103X	C CAP.	0.01μF 50V K
C0302-03	QENC1EM-106Z	BP E CAP.	10μF 25V M
C0304	QETN1HM-106Z	E CAP.	10μF 50V M
C0305	QENC1EM-106Z	BP E CAP.	10μF 25V M
C0309	QETN1HM-106Z	E CAP.	10μF 50V M
C0314	QETN1CM-107Z	E CAP.	100μF 16V M
C0322	QETN1CM-107Z	E CAP.	100μF 16V M
C0324	NCB21HK-563X	CHIP CAP.	0.056μF 50V K
C0325-26	QETN1EM-476Z	E CAP.	47μF 25V M
C0329	QETN1CM-107Z	E CAP.	100μF 16V M
C0332-36	NCB21HK-103X	C CAP.	0.01μF 50V K
C0337	QETN1EM-476Z	E CAP.	47μF 25V M
C0338-40	NCB21HK-103X	C CAP.	0.01μF 50V K
C0341	NDC21HJ-181X	C CAP.	180pF 50V J
C0342-43	NCB21HK-103X	C CAP.	0.01μF 50V K
C0344	NDC21HJ-121X	C CAP.	120pF 50V J
C0345	NCB21HK-103X	C CAP.	0.01μF 50V K
C0346	QETN1EM-476Z	E CAP.	47μF 25V M
C0348	NCB21HK-103X	C CAP.	0.01μF 50V K
C0349	QETN1CM-107Z	E CAP.	100μF 16V M
C0350	NCB21HK-103X	C CAP.	0.01μF 50V K
C0352	NDC21HJ-560X	C CAP.	56pF 50V J
C0353	NCB21HK-103X	C CAP.	0.01μF 50V K
C0354	NDC21HJ-221X	C CAP.	220pF 50V J
C0355	NCB21HK-103X	C CAP.	0.01μF 50V K
C0356	QETN1EM-476Z	E CAP.	47μF 25V M
C0357	QETN1AM-227Z	E CAP.	220μF 10V M
C0358	QETN1EM-476Z	E CAP.	47μF 25V M
C0359	NDC21HJ-221X	C CAP.	220pF 50V J
C0360	NDC21HJ-121X	C CAP.	120pF 50V J
C0362	QETN1AM-477Z	E CAP.	470μF 10V M
C0363	NCB21HK-103X	C CAP.	0.01μF 50V K
C0364-65	QETN1EM-476Z	E CAP.	47μF 25V M
C0601	QENC1HM-475Z	BP E CAP.	4.7μF 50V M
C0602	QETN1HM-475Z	E CAP.	4.7μF 50V M
C0604	QETN1CM-107Z	E CAP.	100μF 16V M
C0605	QETN1HM-106Z	E CAP.	10μF 50V M
C0607	QETN1HM-106Z	E CAP.	10μF 50V M
C0608	QENC1HM-475Z	BP E CAP.	4.7μF 50V M
C0609	NCB21HK-103X	C CAP.	0.01μF 50V K
C0613	QETN1HM-106Z	E CAP.	10μF 50V M
C0625	NCB21HK-332X	C CAP.	3300pF 50V K
C0626	NCB21HK-333X	C CAP.	0.033μF 50V K
C0628	QETN1HM-106Z	E CAP.	10μF 50V M
C0637	NCB21HK-332X	C CAP.	3300pF 50V K
C0638	NCB21HK-333X	C CAP.	0.033μF 50V K
C0639	QETN1HM-106Z	E CAP.	10μF 50V M
C0640	QETN1EM-476Z	E CAP.	47μF 25V M
C0641	NCB21EK-104X	C CAP.	0.1μF 25V K

TRANSFORMER

T0301-03	CE42697-001	LOWPASS FILTER
----------	-------------	----------------

Symbol No.	Part No.	Part Name	Description
COIL			
L0101-04	QQL211K-5R6Y	PEAKING COIL	5.6μH
L0107-10	QQL211K-5R6Y	PEAKING COIL	5.6μH
L0111	QQL244K-680Z	PEAKING COIL	68μH
L0302	QQL244K-220Z	PEAKING COIL	22μH
L0304-05	QQL244K-220Z	PEAKING COIL	22μH
L0306	QQL244K-330Z	PEAKING COIL	33μH
DIODE			
D0101-03	MA3120/M/-X	ZENER DIODE	
D0106	MA3120/M/-X	ZENER DIODE	
D0108-09	MA3091/M/-X	ZENER DIODE	
TRANSISTOR			
Q0101-02	DTC323TK-X	DIGI. TRANSISTOR	
Q0103	2SA1037AK/QR/-X	SI. TRANSISTOR	
Q0106	2SC2412K/QR/-X	SI. TRANSISTOR	
Q0108	2SC1740S/QR/-T	SI. TRANSISTOR	
Q0303	2SC2412K/QR/-X	SI. TRANSISTOR	
Q0309-15	2SC2412K/QR/-X	SI. TRANSISTOR	
Q0316-17	2SA1037AK/QR/-X	SI. TRANSISTOR	
Q0318-21	2SC2412K/QR/-X	SI. TRANSISTOR	
IC			
IC0101	CXA2089Q	I C	
IC0301	TC9090AN	I. C. (DIGI-MOS)	
IC0304	LA7222	I. C. (MONO-ANA)	
IC0601	AN5285K	I. C. (MONO-ANA)	
IC0602	NJM2150AM-X	I. C. (MONO-ANA)	
OTHERS			
J0001	CM36337-A01-H	SHIELD COVER	
J0002	QNZ0454-001	PIN JACK	
J0003	QNN0349-001	PIN JACK	
J0004	QNN0349-002	PIN JACK	
J0005	QNN0348-001	PIN JACK	
J0006	QNN0349-001	PIN JACK	
J0006	QNS0001-001	JACK	

PACKING



PACKING PARTS LIST

△ Ref.No.	Part No.	Part Name	Description
1	LC10845-003A-H	PACKING CASE	8pcs in 1set
2	LC10479-002C-H	CUSHION ASSY	
3	CP30967-004-H	POLY BAG	
4	RM-C113-2H	REMOCON UNIT	
5	CP30966-001-H	POLY BAG	
△ 6	LCT0864-001A-H	INST. BOOK	
7	CM47385-00B-H	POS/SERIAL LABEL	
△ 8	LCT0662-001A-H	DIGEST MANUAL	
△ 9	LCT0661-001A-H	DIGEST MANUAL	



JVC

VICTOR COMPANY OF JAPAN, LIMITED
HOME AV NETWORK BUSINESS UNIT 1106 Heta, Iwai-city, Ibaraki-prefecture, 306-0698, Japan

